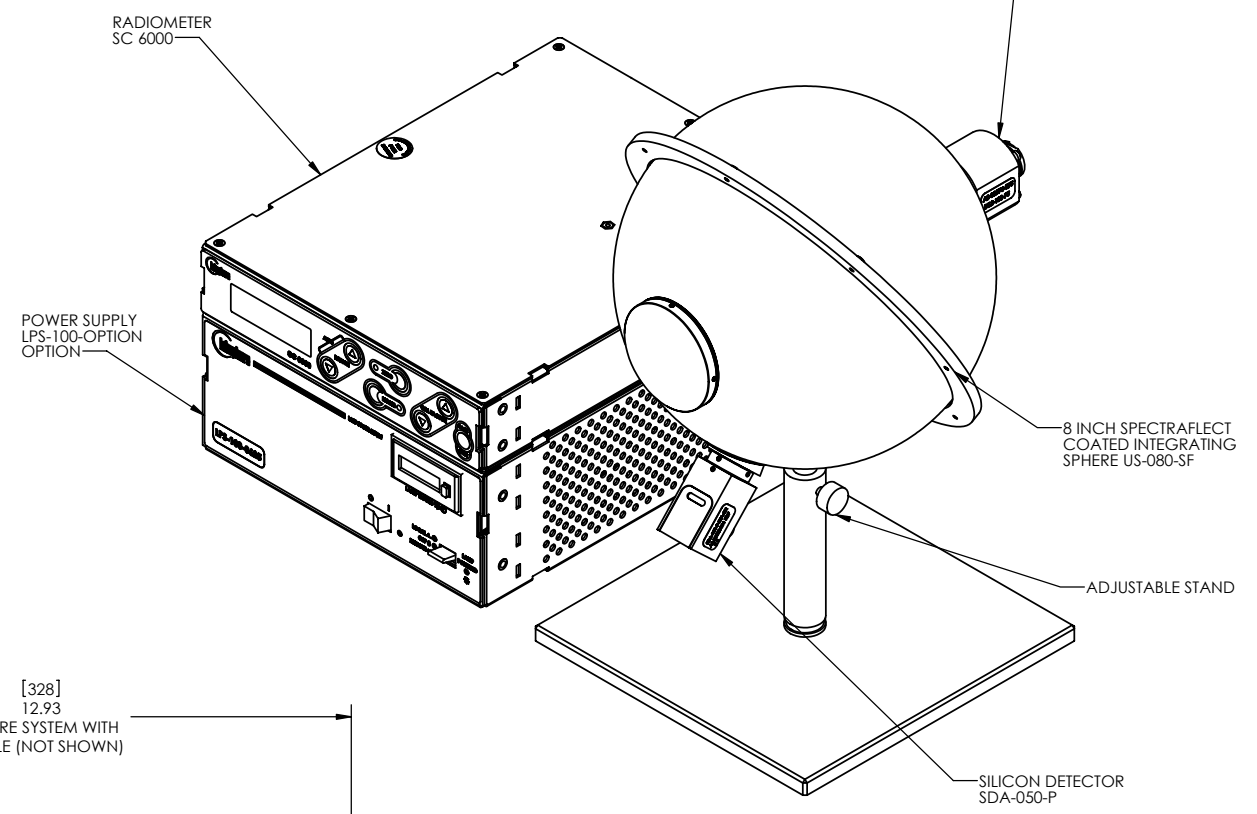
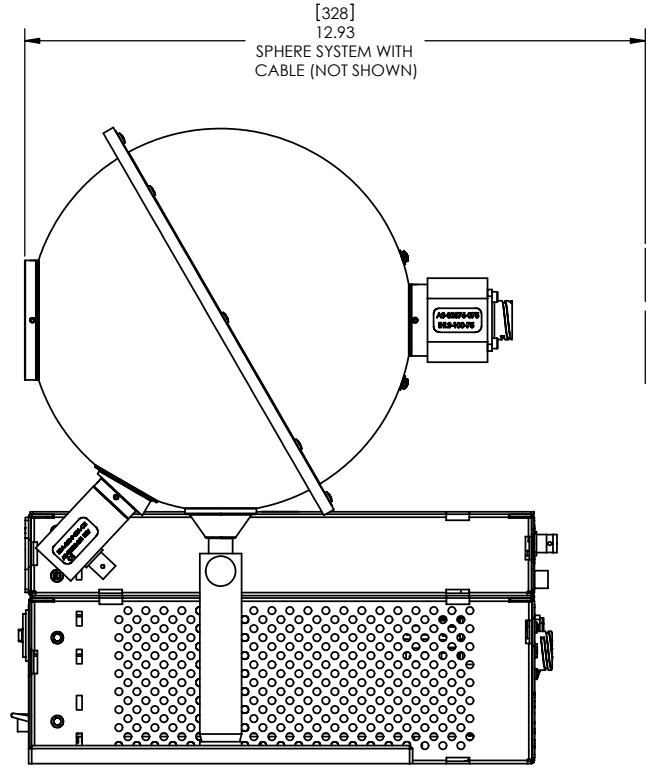
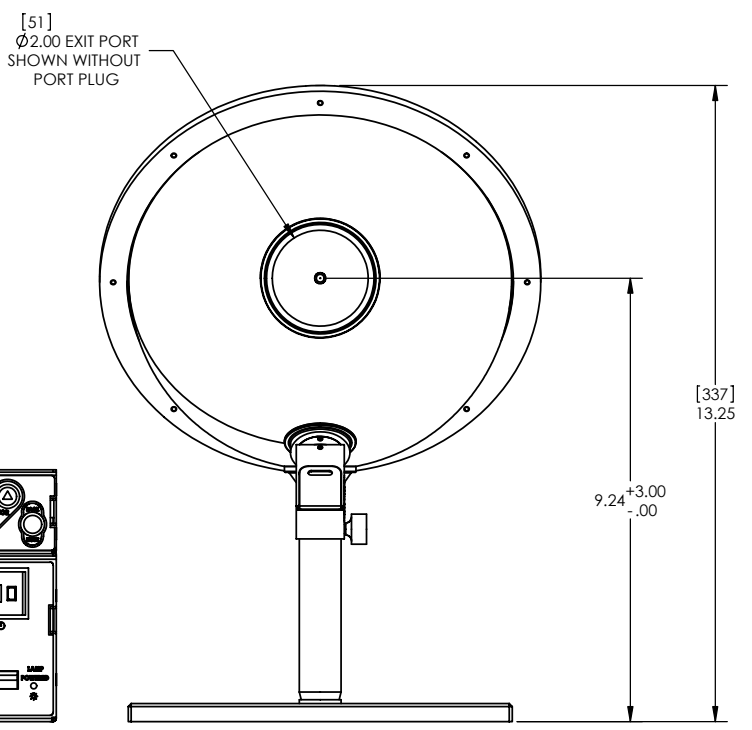
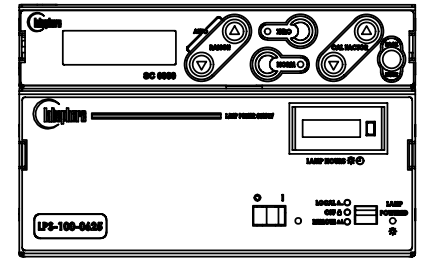
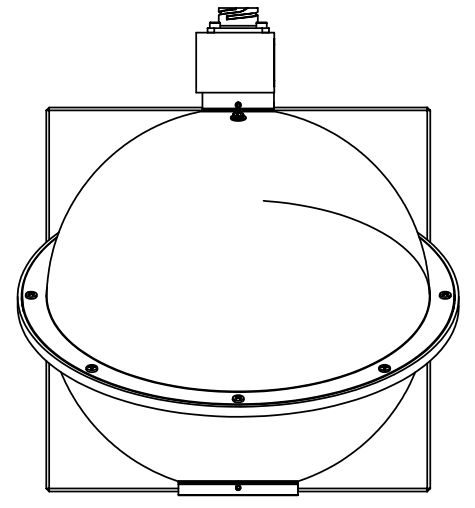
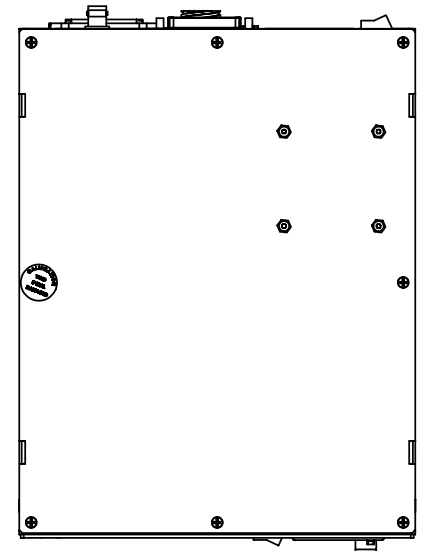


NOTE:  
 1 - DIMENSIONS SHOWN IN [mm]/INCHES.  
 2 - THE OPTIONS DO NOT HAVE A SIGNIFICANT IMPACT ON PHYSICAL SIZE OR APPEARANCE.  
 3 - FOR MORE DETAILS ON COMPONENTS REFER TO COMPONENT CUD.



|   |            |   |   |   |                  |
|---|------------|---|---|---|------------------|
| UNLESS OTHERWISE SPECIFIED, DIMENSIONS ARE IN INCHES. TOLERANCES ARE: FINISHES: DECIMALS ANGLES: 1/64 XX = ±0.03 ±30° |            | THE INFORMATION CONTAINED IN THIS DRAWING IS THE SOLE PROPERTY OF Labsphere, Inc. ANY REPRODUCTION IN PART OR IN WHOLE WITHOUT THE WRITTEN PERMISSION OF Labsphere, Inc. IS PROHIBITED. |   | PO BOX 70<br>231 SHAKER STREET<br>NORTH SUITON, NH<br>03260 |                  |
| <b>USS-800S-OPTION</b>  |            |   |   |   |                  |
| APPROVALS:  | DATE:      | REV:  | D | SCALE:  | 1:2 SHEET 1 OF 1 |
| DESIGNER:   | DATE:      | REV:  |   |   |                  |
| DO NOT SCALE DRAWING  | V. MAHAJAN | 6/6/2007  |   | AS-02710-OPT CUD  | REV.             |