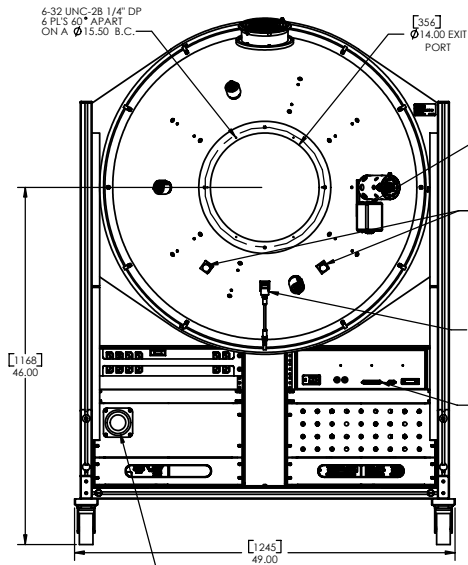
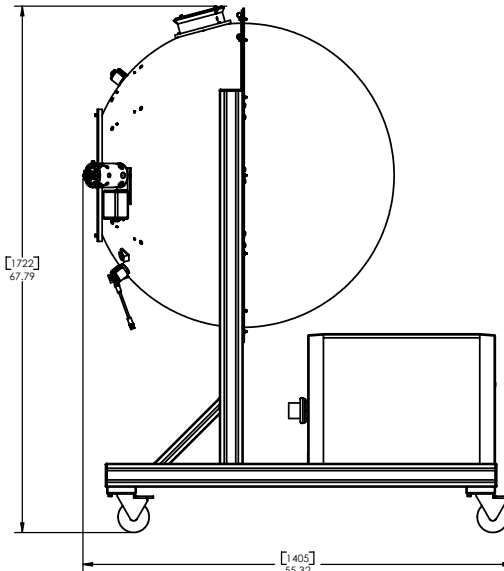


NOTE:
1 - UNITS IN [mm]/INCHES.

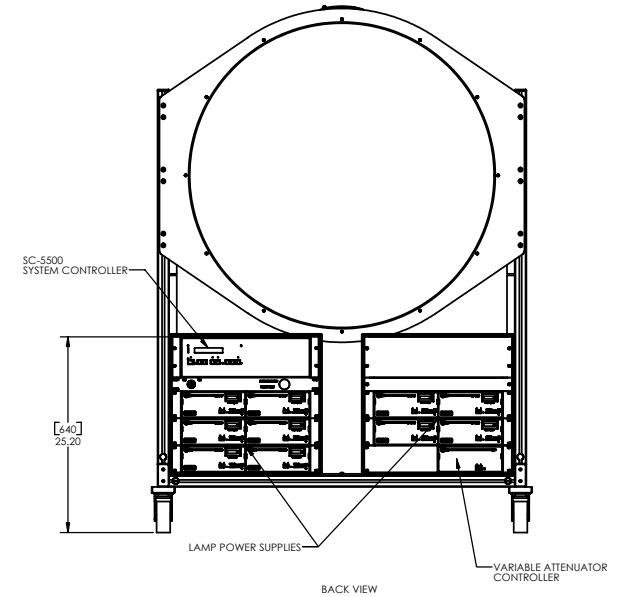


INPUT POWER REQUIREMENTS
208-240VAC 1PH 50/60 HZ 30A
10m CABLE NOT SHOWN

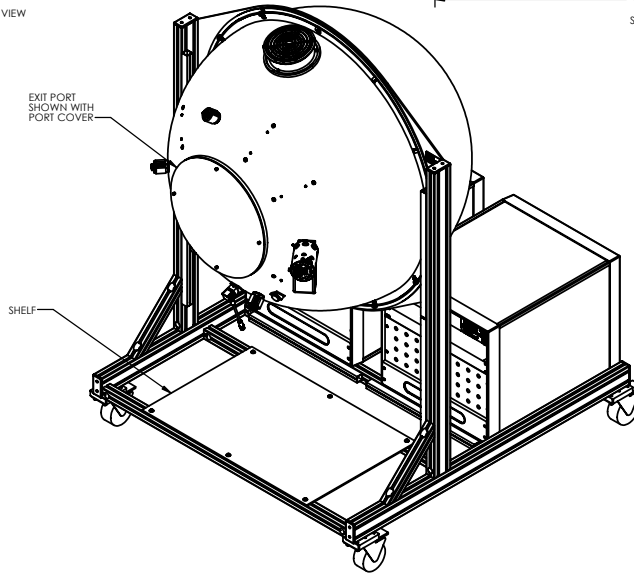
FRONT VIEW



SIDE VIEW

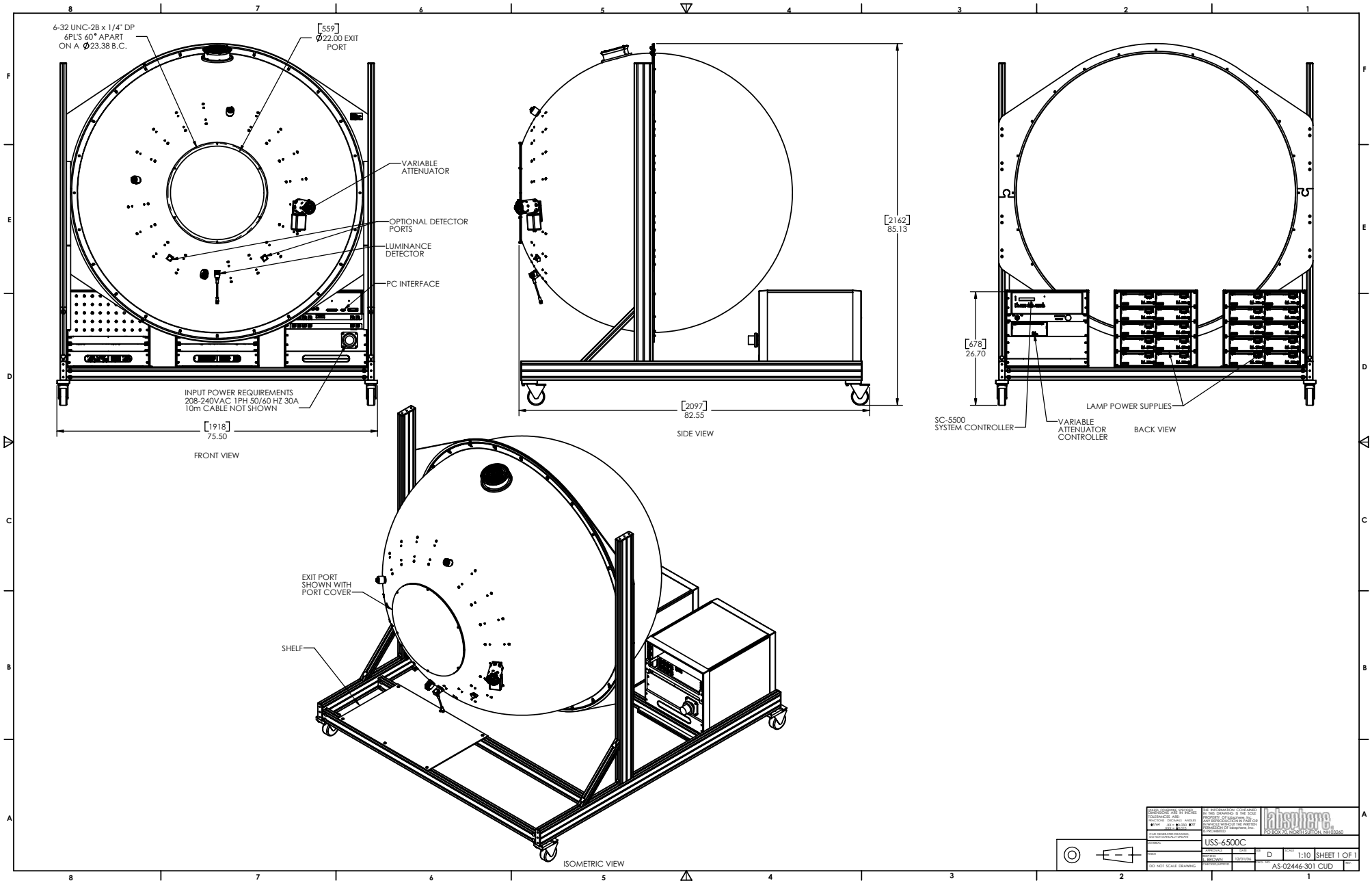


BACK VIEW



ISOMETRIC VIEW

CONSULT: 703 772-2255 TOLL FREE: 800-445-2255 FAX: 703 772-2255 WWW: www.labsphere.com	100 WILMINGTON 2ND FLOOR BEVERLY HILLS, MASSACHUSETTS 01915 LABORATORY OF PHYSICS AND METROLOGICAL SERVICES UNIVERSITY OF MASSACHUSETTS LOWELL, MASSACHUSETTS 01854		PO BOX 70 231 SHAKER STREET WOODRIDGE, MA 02210
MODEL: ISS-4000C			DATE:
REVISION:	DATE:	DRAWN:	CHECKED:
DO NOT SCALE DRAWING			D 1:8 SHEET 1 OF 1 AS-02445-301 CUD



<small>UNLESS OTHERWISE SPECIFIED, DIMENSIONS ARE IN MILLIMETERS AND DECIMALS ARE TO BE USED. DIMENSIONS IN PARENTHESES ARE IN INCHES AND DECIMALS ARE TO BE USED. DIMENSIONS IN PARENTHESES ARE TO BE USED ONLY WHEN NECESSARY TO INDICATE DIMENSIONS IN INCHES.</small>		<small>ALL DIMENSIONS ARE TO UNLESS OTHERWISE SPECIFIED, DIMENSIONS ARE IN MILLIMETERS AND DECIMALS ARE TO BE USED. DIMENSIONS IN PARENTHESES ARE IN INCHES AND DECIMALS ARE TO BE USED. DIMENSIONS IN PARENTHESES ARE TO BE USED ONLY WHEN NECESSARY TO INDICATE DIMENSIONS IN INCHES.</small>		
<small>UNLESS OTHERWISE SPECIFIED, DIMENSIONS ARE IN MILLIMETERS AND DECIMALS ARE TO BE USED. DIMENSIONS IN PARENTHESES ARE IN INCHES AND DECIMALS ARE TO BE USED. DIMENSIONS IN PARENTHESES ARE TO BE USED ONLY WHEN NECESSARY TO INDICATE DIMENSIONS IN INCHES.</small>		<small>ALL DIMENSIONS ARE TO UNLESS OTHERWISE SPECIFIED, DIMENSIONS ARE IN MILLIMETERS AND DECIMALS ARE TO BE USED. DIMENSIONS IN PARENTHESES ARE IN INCHES AND DECIMALS ARE TO BE USED. DIMENSIONS IN PARENTHESES ARE TO BE USED ONLY WHEN NECESSARY TO INDICATE DIMENSIONS IN INCHES.</small>		
USS-6500C		AS-02446-301 CIUD		LABSPHERE <small>200 BUCKINGHAM AVENUE NORTH, WILMINGTON, DE 19804</small>
<small>REV</small>	<small>DATE</small>	<small>BY</small>	<small>CHKD</small>	
<small>REV</small>	<small>DATE</small>	<small>BY</small>	<small>CHKD</small>	
<small>REV</small>	<small>DATE</small>	<small>BY</small>	<small>CHKD</small>	
<small>REV</small>	<small>DATE</small>	<small>BY</small>	<small>CHKD</small>	

