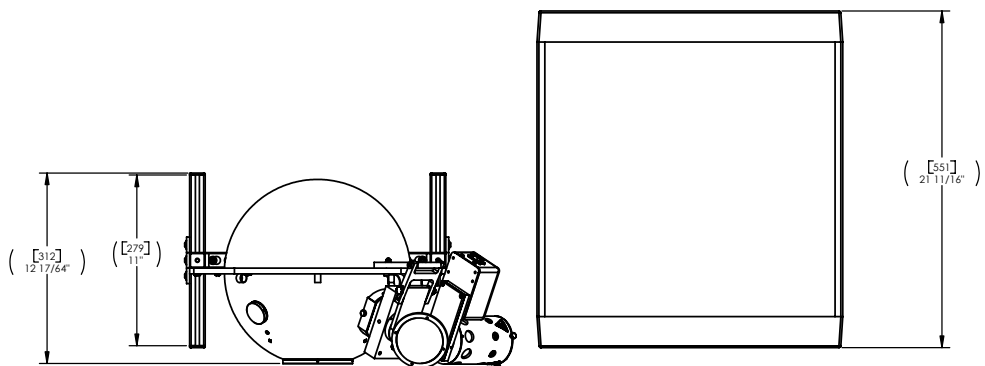
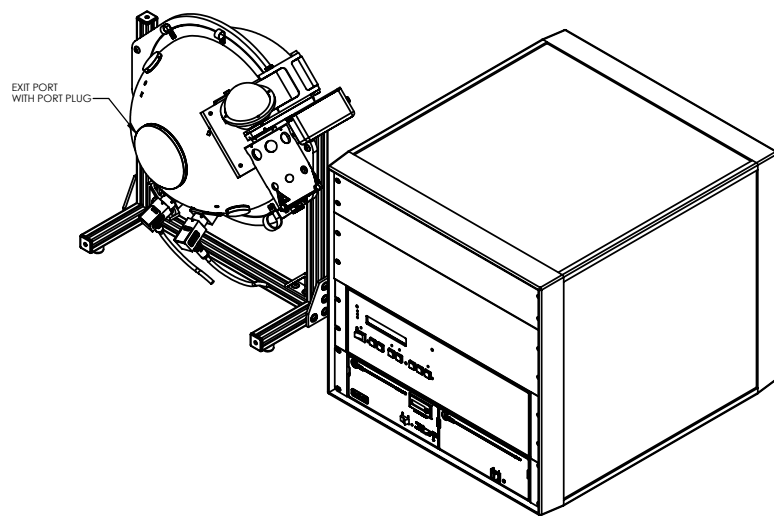


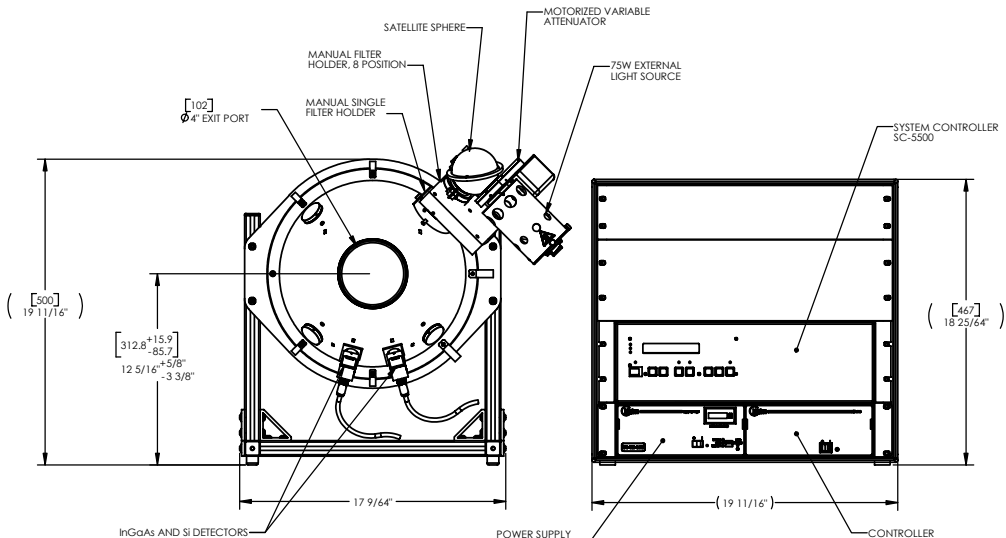
NOTE:
 1 - DIMENSIONS SHOWN IN [MM]/INCHES, DIMENSIONS
 IN PARENTHESIS FOR REFERENCE ONLY.
 2 - ALL INFORMATION SUBJECT TO CHANGE WITHOUT NOTICE.



TOP VIEW



ISOMETRIC VIEW



FRONT VIEW

- SATELLITE SPHERE
- MANUAL FILTER HOLDER, 8 POSITION
- MANUAL SINGLE FILTER HOLDER
- 75W EXTERNAL LIGHT SOURCE
- SYSTEM CONTROLLER SC-5500
- MOTORIZED VARIABLE ATTENUATOR
- EXIT PORT WITH PORT PLUG
- INGaAs AND SI DETECTORS
- POWER SUPPLY LIGHT SOURCE
- CONTROLLER VARIABLE ATTENUATOR

CONSULT THE DRAWING FOR THE LOCATION OF DIMENSIONS AND TOLERANCES. ALL DIMENSIONS ARE UNLESS OTHERWISE SPECIFIED IN MILLIMETERS.		ALL DIMENSIONS ARE UNLESS OTHERWISE SPECIFIED IN MILLIMETERS. ALL DIMENSIONS ARE UNLESS OTHERWISE SPECIFIED IN MILLIMETERS.	
DRAWING NUMBER: USS-1200V-LL		DRAWING TITLE: USS-1200V-LL	
DATE:	REV:	D:	1:4
DO NOT SCALE DRAWING		AA-00785-000 CUD 4	

