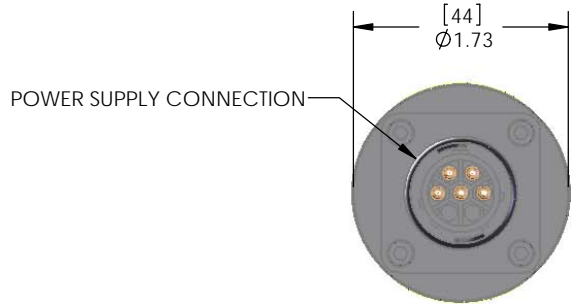
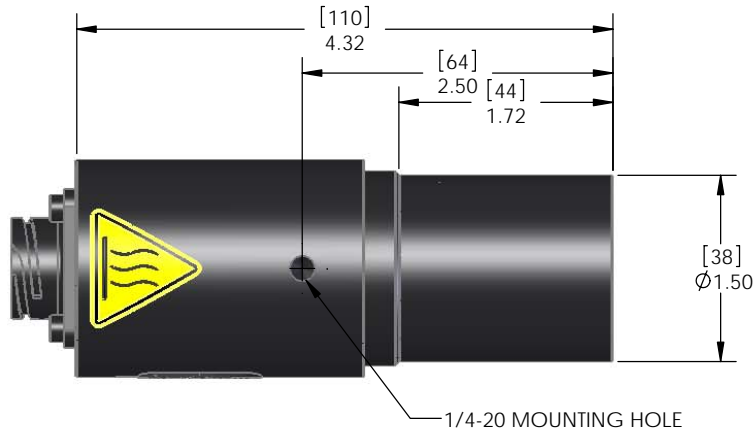
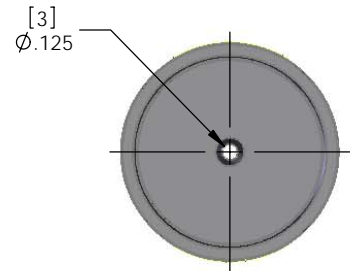



NOTE:
 1 - 10 FT [3M] CABLE INCLUDED (NOT SHOWN)
 RECOMMENDED MATING CONNECTOR:
 TYCO/AMP #211398-1
 DIGKEY #A1641-ND
 ⚠ CURRENT REQUIRED FOR 3000K COLOR TEMPERATURE.



PIN 1	N/C
PIN 2	N/C
PIN 3	1.67A DC
PIN 4	SHIELD
PIN 5	NEG

⚠



UNLESS OTHERWISE SPECIFIED DIMENSIONS ARE IN INCHES TOLERANCES ARE: FRACTIONS DECIMALS ANGLES ±1/64 .001 ±30	THE INFORMATION CONTAINED IN THIS DRAWING IS THE SOLE PROPERTY OF Ibsphere, INC. ANY REPRODUCTION IN PART OR IN WHOLE WITHOUT THE WRITTEN PERMISSION OF Ibsphere, INC. IS PROHIBITED			 PO BOX 70 231 SHAKER STREET NORTH SUTTON, NH 03260	
	CAD GENERATED DRAWING. DO NOT MANUALLY UPDATE IES 1000				
MATERIAL	APPROVALS	DATE	SIZ	SCALE	SHEET 1 OF 1
FINISH	R.MONTIMINY	2/13/2007	B	1:1	
DO NOT SCALE DRAWING	CHECKED/APPROVED G.McKEE	4/26/2007	DWG. NO.	AS-02700-602 CUD	REV. 1