
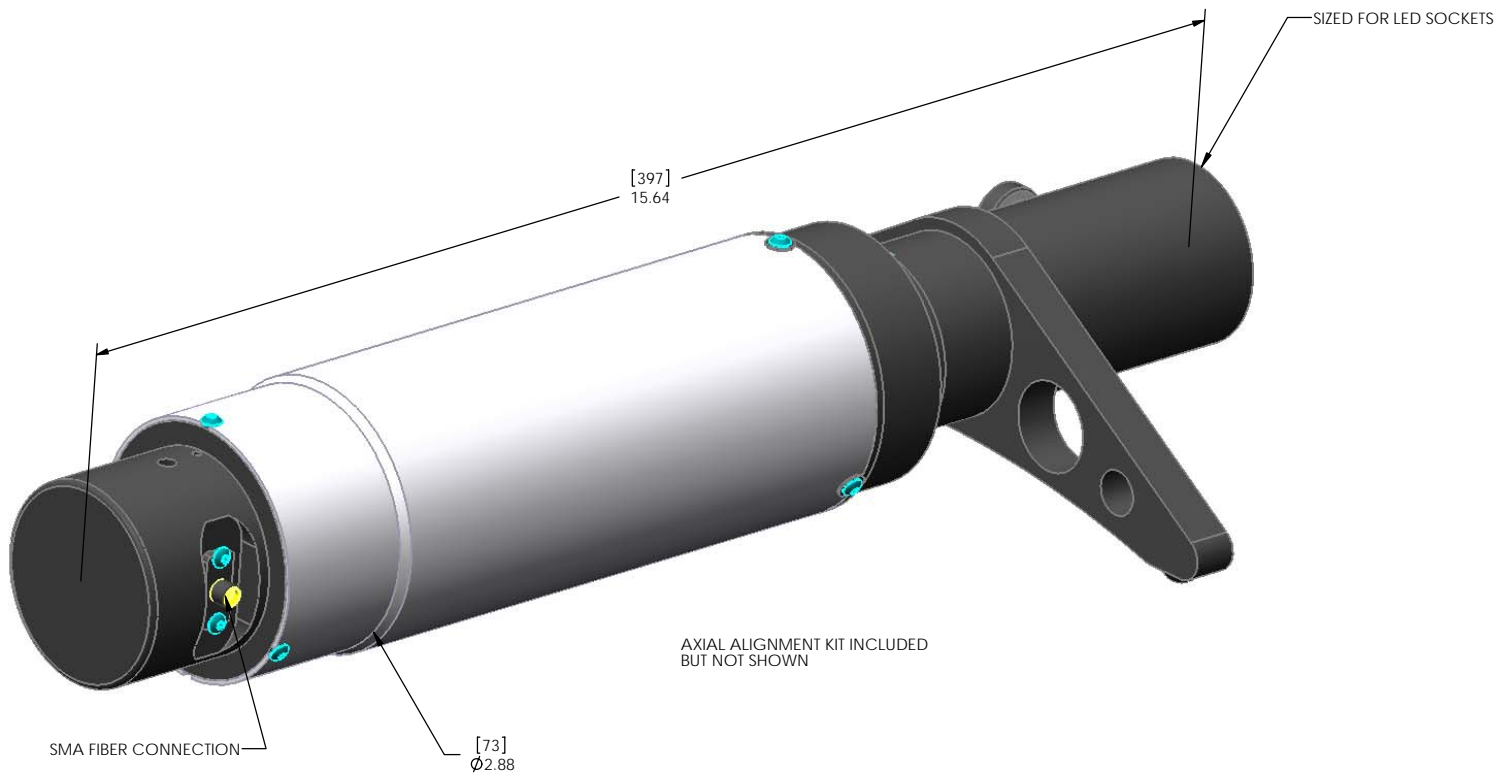



UNLESS OTHERWISE SPECIFIED DIMENSIONS ARE IN INCHES TOLERANCES ARE: FRACTIONS DECIMALS ANGLES $\pm 1/64$ ± 0.01 ± 30 ± 0.005		THE INFORMATION CONTAINED IN THIS DRAWING IS THE SOLE PROPERTY OF labsphere, INC. ANY REPRODUCTION IN PART OR IN WHOLE WITHOUT THE WRITTEN PERMISSION OF labsphere, INC. IS PROHIBITED		 PO BOX 70 231 SHAKER STREET NORTH SUTTON, NH 03260	
CAD GENERATED DRAWING. DO NOT MANUALLY UPDATE		11000			
MATERIAL SEE BOM		APPROVALS RESP ENG R.MONIMINY	DATE 4/27/2007	SIZE B	SCALE 1:1
FINISH Labsphere Std.		CHECKED/APPROV'D G.McKEE	DATE 4/27/2007	DWG. NO. AS-02700-100 CUD	SHEET 1 OF 1 REV. 1
DO NOT SCALE DRAWING					



UNLESS OTHERWISE SPECIFIED DIMENSIONS ARE IN INCHES TOLERANCES ARE: FRACTIONS DECIMALS ANGLES 1/64 XX ±0.01 30'		THE INFORMATION CONTAINED IN THIS DRAWING IS THE SOLE PROPERTY OF Labsphere, INC. ANY REPRODUCTION IN PART OR IN WHOLE WITHOUT THE WRITTEN PERMISSION OF Labsphere, INC. IS PROHIBITED.		 PO BOX 70 231 SHAKER STREET NORTH SUTTON, NH 03260	
C/AO GENERATED DRAWING; DO NOT MANUALLY UPDATE REVISION		I 2000		A	
SEE BOM		APPROVALS	DATE	SIZE	SCALE
FINISH Labsphere Std.		R.MONTIMINY	4/27/2007	C	4:1
DO NOT SCALE DRAWING		DRAWN BY G.MCKEE	4/27/2007	DWG. NO.	AS-02700-316 CUD
				SHEET 1 OF 1	REV. 1