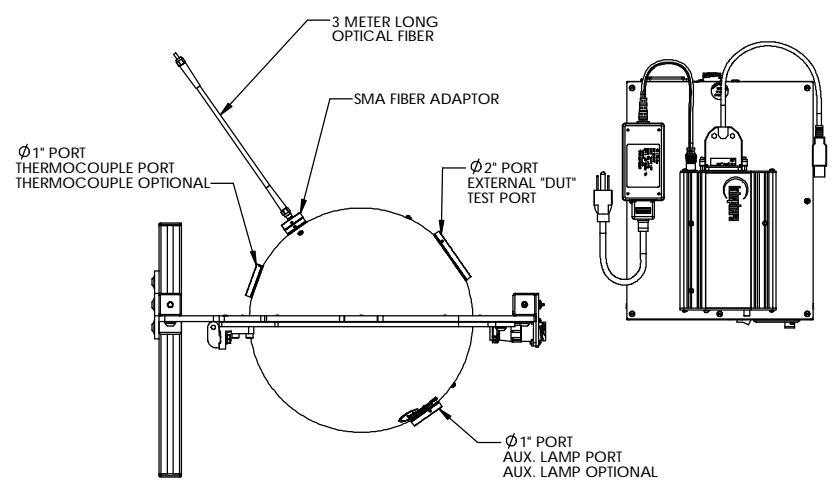
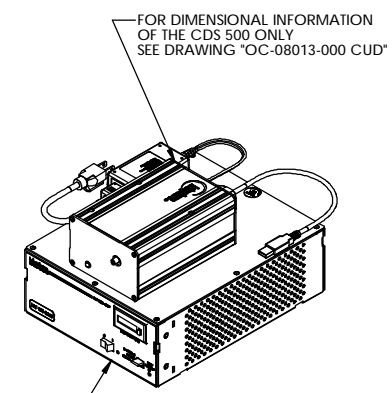
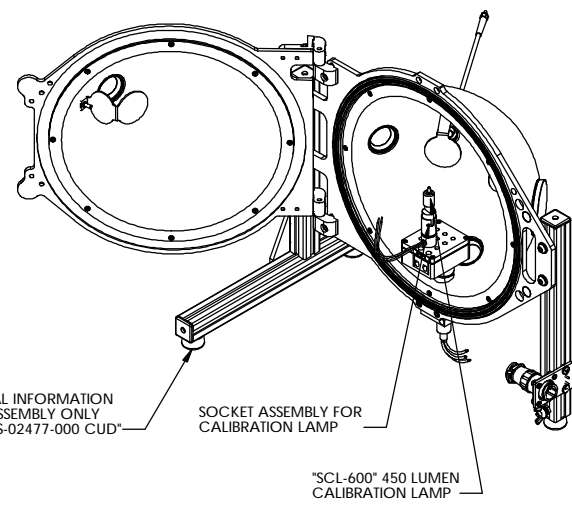



8 7 6 5 4 3 2 1

NOTE:

- 1 - CABLE (10 FEET LONG) FROM LPS-100 TO SPHERE NOT SHOWN BUT INCLUDED WITH SYSTEM.
- 2 - NOT SHOWN BUT INCLUDED WITH SYSTEM:
 - a) 1 UK POWER CABLE (8 FEET LONG)
 - b) 1 EU CONTINENT POWER CABLE (8 FEET LONG)
 - c) SLMS LED SOFTWARE
 - d) SLMS LED MANUALS

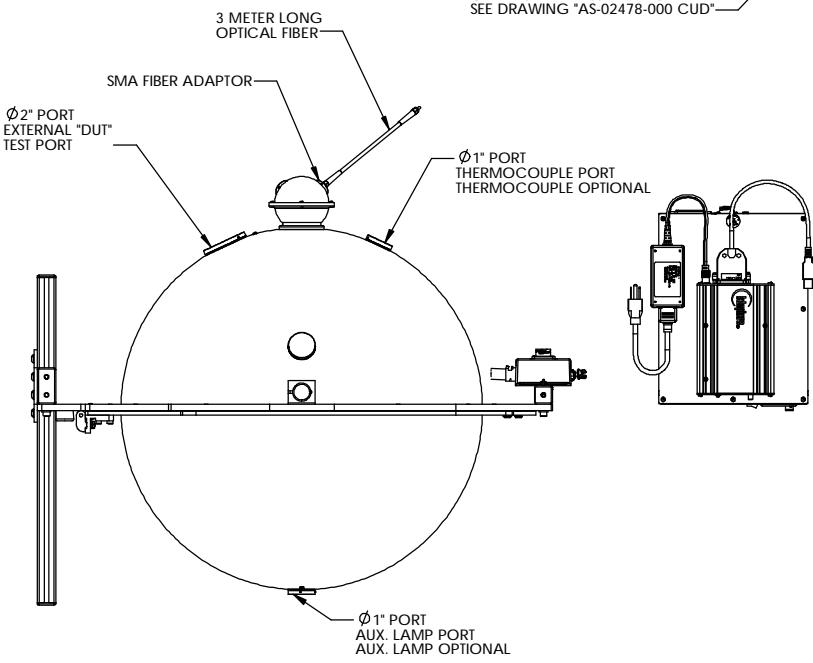
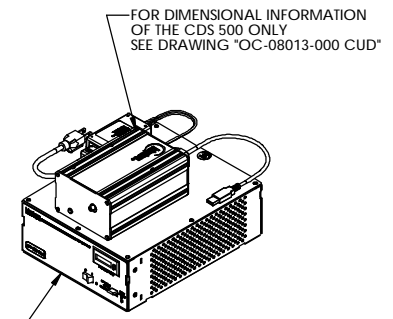
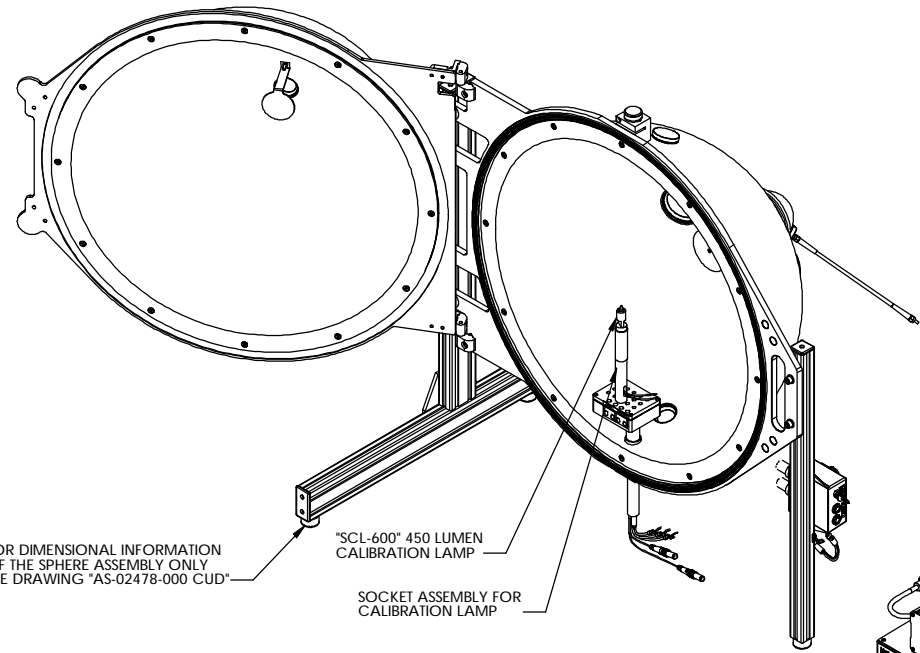


UNLESS OTHERWISE SPECIFIED DIMENSIONS ARE IN INCHES TOLERANCES ARE: FRACTIONS DECIMALS ANGLES ±1/64 XX ±0.01 XXX ±0.005 ±30		THE INFORMATION CONTAINED IN THIS DRAWING IS THE SOLE PROPERTY OF ISOTRONIX, INC. ANY REPRODUCTION IN PART OR IN WHOLE WITHOUT THE WRITTEN PERMISSION OF ISOTRONIX, INC. IS PROHIBITED.		 PO BOX 70, NORTH SUITON, NH 03260	
CAD GENERATED DRAWING. DO NOT MANUALLY EDIT MATERIAL		SLMS LED 1050		A	
APPROVALS	DATE	SIZE	SCALE	SHEET 1 OF 1	
C. SHAFFER	7-29-2005	C	1:4		
DO NOT SCALE DRAWING		CHECKED/APPROV	DWG. NO.	REV.	
			AS-02477-400 CUD		

8 7 6 5 4 3 2 1

NOTE:

- 1 - CABLE (10 FEET LONG) FROM LPS-100 TO SPHERE NOT SHOWN BUT INCLUDED WITH SYSTEM.
- 2 - NOT SHOWN BUT INCLUDED WITH SYSTEM:
 - a) 1 UK POWER CABLE (8 FEET LONG)
 - b) 1 EU CONTINENT POWER CABLE (8 FEET LONG)
 - c) SLMS LED SOFTWARE
 - d) SLMS LED MANUALS



FOR DIMENSIONAL INFORMATION OF THE LPS-100 ONLY SEE DRAWING "AS-02600-CUD"

UNLESS OTHERWISE SPECIFIED DIMENSIONS ARE IN INCHES TOLERANCES ARE: FRACTIONS DECIMALS ANGLES ±1/64 XX = ±0.01 XXX = ±0.005 ±30		THE INFORMATION CONTAINED IN THIS DRAWING IS THE SOLE PROPERTY OF INTERPHYS, INC. ANY REPRODUCTION IN PART OR IN WHOLE WITHOUT THE WRITTEN PERMISSION OF INTERPHYS, INC. IS PROHIBITED.			
CAD GENERATED DRAWING. DO NOT MANUALLY EDIT MATERIAL		SLMS LED 2050		PO BOX 70, NORTH SUTTON, NH 03260	
APPROVALS	DATE	SIZE	SCALE	SHEET 1 OF 1	
REP ENG C. SHAFFER	7.29.2005	C	1:5		
DO NOT SCALE DRAWING	CHECKED/APPROVED	DWG. NO.	REV.		
		AS-02478-400 CUD			