

FieldMate

Laser Power Meter

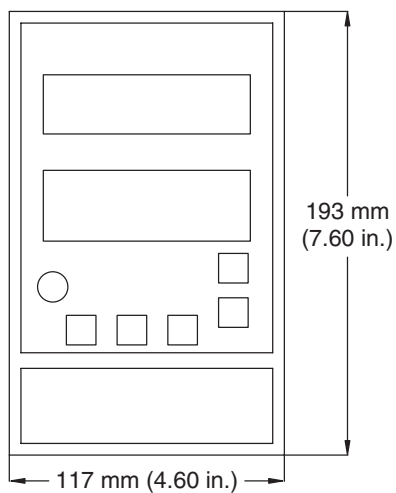


Features

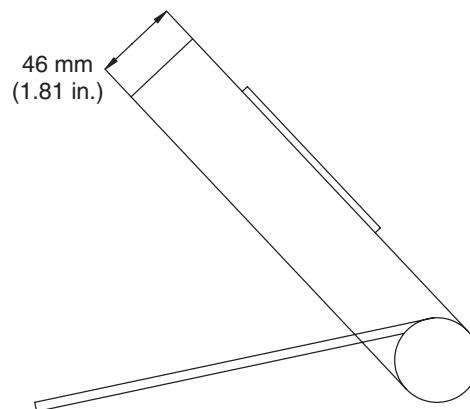
- Large LCD display
- Analog movement for laser tuning
- Works with thermal and optical sensors
- Wavelength compensation
- Simple user interface
- Analog output
- Portable AC/DC operation
- Compact, rugged enclosure with stand

Mechanical Specifications

Front View



Side View



FieldMate™ Laser Power Meter

Device Specifications

Size (H x W x D)	19.3 x 11.7 x 4.6 cm (7.6 x 4.6 x 1.8 in.)
Weight (including batteries)	0.8 kg (1.75 lbs.)
Instrument Power	Two 9V alkaline batteries, 90 to 260 VAC, 50/60 Hz
Display	26 x 89 mm (1.02 x 3.5 in.), fixed-segment LCD
Digital LCD Update Rate	≥3 times/sec.
Analog Meter	
Meter Response	Tau = 80 ms (2 Hz)
Meter Scale	0 to 3, 60 divisions, and 0 to 10, 100 divisions
Analog Output (V)	0 to 2
Analog Output Update Rate (times/sec.)	20
Measurement Range	
Display Power	0.01 mW to 29.9 kW (thermopile) 1 nW to 99.9 mW (optical)
Measurement Resolution Power (% of full scale)	±0.1 (thermopile and optical)
Accuracy	
Digital Display (%)	±1.0 of reading ±2 LSD
Analog Meter (%)	±3.0
Analog Out (%)	±1.0
System	Display unit + sensor accuracy
Temperature	
Operating	5°C to 40°C (41°F to 104°F)
Storage	-20°C to 70°C (-4°F to 158°F)
Relative Humidity	
Operating (%)	0 to 90
Storage (%)	0 to 95
Altitude	
Operating (m)	-100 to 2,000
Storage (m)	-100 to 4,000

Measures

Power	W
-------	---

Controls & Connections

Front Panel	
PWR	Toggle power
ZERO	Ambient offset
AUTO	Engage auto-ranging
λ	Enter wavelength compensation
ARROW KEYS	Manually control range Select and change numerical values
Left Side Panel	Power jack connector Analog output DB-25 smart probe connector
Part Number (RoHS)	1098297

Coherent follows a policy of continuous product improvement. Specifications are subject to change without notice.

Coherent's LabMax meters are compliant with the EU Restriction of Hazardous Substances (RoHS) and Waste Electrical and Electronic Equipment (WEEE) Directives. They also meet the intent of Directive 89/336/EEC for Electromagnetic Compatibility (CE). CE compliance was demonstrated per testing to EN61326 Electromagnetic Compatibility Product Family Standard for Measurement, Control and Laboratory Equipment.

Coherent offers a Limited Warranty for all FieldMate meters. For full details of this warranty coverage, please refer to the "Warranty Information for Instruments" webpage under the Service section of our website at www.Coherent.com or contact your local Sales or Service representative.